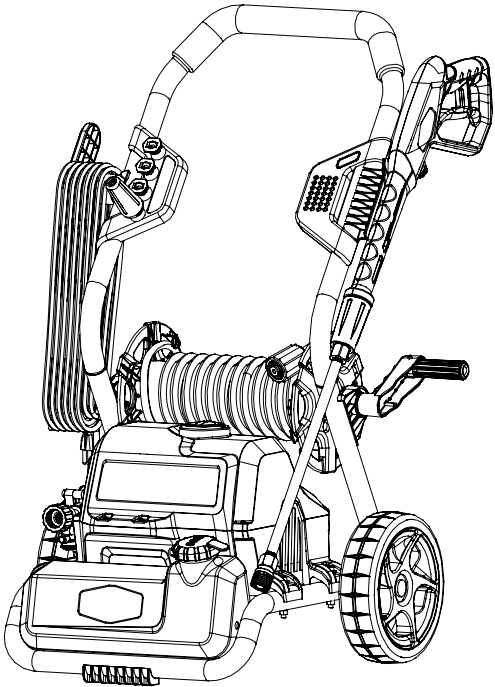





**2000 PSI / 1.2 GPM
ELECTRIC PRESSURE WASHER
GPW 2000**



OPERATOR'S MANUAL
TOLL-FREE HELPLINE: 1-888-90WORKS (888.909.6757)

 Read all safety rules and instructions carefully before operating this tool.
www.greenworkstools.com

INSTRUCTION

Important Safety Instructions.....	3
Specific Safety Rules.....	4-5
Symbols.....	6-7
Electrical.....	8
Know Your Pressure Washer.....	9
Packing List.....	10
Assembly.....	11-15
Operation.....	16-21
Maintenance.....	22-24
Troubleshooting.....	25-27
Warranty.....	28
Exploded View.....	29
Parts List.....	30-31

PRODUCT SPECIFICATION

Induction Motor.....	120V,60Hz,13Amps
Power Cord with In-Line GFCI.....	35ft
Max. Pounds Per Square Inch Pressure.....	2000psi
Rated Gallons Per Minute.....	1.2gpm
Maximum Inlet Water Temperature.....	104°F (40 C)
Cleaning Units.....	2400 C.U
Net Weight.....	40.39lbs(18.3kg)



IMPORTANT SAFETY INSTRUCTIONS

WARNING

Read and understand all instructions. Failure to follow all instructions listed below may result in electric shock, fire, and/or serious personal injury.

WARNING

When using this product, basic precautions should always be followed.

READ ALL INSTRUCTIONS BEFORE USING THIS PRODUCT

- To reduce the risk of injury, close supervision is necessary when a product is used near children.
 - Be thoroughly familiar with controls. Know how to stop the product and release pressure quickly.
 - Stay alert and exercise control. Watch what you are doing and use common sense. Do not operate product when you are tired. Do not rush.
 - Do not operate the product while under the influence of drugs, alcohol, or any medication.
 - Keep the area of operation clear of all people, particularly small children, and pets.
 - Don't overreach or stand on unstable support. Keep proper footing and balance at all times.
 - Follow the maintenance instructions specified in this manual.
-

WARNING

Risk of injection or injury – Do not direct discharge stream at people or animals.

GROUND FAULT CIRCUIT INTERRUPTER PROTECTION

This pressure washer is provided with a ground fault circuit interrupter (GFCI) built into the plug of the power supply cord. This device provides additional protection from the risk of electric shock. Should replacement of the plug or cord become necessary, use only identical replacement parts that include GFCI protection.

EXTENSION CORDS

- Do not use with extension cord. Plug directly into receptacle.
-

WARNING

To reduce the risk of electrocution, keep all connections dry and off the ground. Do not touch plug with wet hands.

SPECIFIC SAFETY RULES

- **Know your product. Read the operator's manual carefully.** Learn the machine's applications and limitations as well as the specific potential hazards related to this product.
- **To reduce the risk of injury, keep children and visitors away.** All visitors should keep a safe distance from the work area.
- **Use the right product for the job.** Don't force the product or the attachments to do a job it was not designed for. Don't use it for a purpose not intended.
- **dress properly.** Do not wear loose clothing, gloves, neckties, or jewellery. They can get caught and draw you into moving parts. Rubber gloves and non-skid footwear are recommended when working outdoors. Also wear protective hair covering to contain long hair.
- **do not operate the equipment while barefoot or when wearing sandals or similar lightweight footwear.** Wear protective footwear that will protect your feet and improve your footing on slippery surfaces.
- **Exercise caution to avoid slipping or falling.**
- **Always wear eye protection with side shields marked to comply with ANSI Z87.1.** Following this rule will reduce the risk of serious personal injury.
- **Use only recommended accessories.** The use of improper accessories may cause risk of injury.
- **Check damaged parts.** Before further use of the product, all parts should be carefully checked to determine that they will operate properly and perform their intended function. Check for alignment of moving parts, binding of moving parts, breakage of parts, mounting, and any other conditions that may affect its operation. A guard or other part that is damaged must be properly repaired or replaced by an authorized service center to avoid risk of personal injury.
- **Never leave product running unattended.** Turn power off. Don't leave the product until it comes to a complete stop.
- **Keep the motor free of grass, leaves, or grease to reduce the chance of a fire hazard.**
- **Follow manufacturer's recommendations for safe loading, unloading, transport, and storage of machine.**
- **Keep product dry, clean, and free from oil and grease.** Always use a clean cloth when cleaning. Never use brake fluids, gasoline, petroleum-based products, or any solvents to clean product.
- **Check the work area before each use.** Remove all objects such as rocks, broken glass, nails, wire, or string which can be thrown by the machine.
- **do not use product if switch does not turn it off.** Have defective switches replaced by an authorized service center.
- **Avoid dangerous environment.** Don't expose to rain. Keep work area well lit.
- **do not abuse the cord.** Never use the cord to carry the product or to disconnect the plug from an outlet. Keep cord away from heat, oil, sharp edges, or moving parts. Replace damaged cords immediately. Damaged cords increase the risk of electric shock.
- **Ground Fault Circuit Interrupter (GFCI) protection should be provided on the circuit (s) or outlet (s) to be used for the product.** Receptacles are available having built-in GFCI protection and may be used for this measure of safety.
- **Never direct a water stream toward people or pets, or any electrical device.**
- **Before starting any cleaning operation, close doors and windows.** Clear the area to be cleaned of debris, toys, outdoor furniture, or other objects that could create a hazard.
- **do not use acids, alkalines, solvents, flammable material, bleaches, or industrial grade solutions in this product.** These products can cause physical injuries to the operator and irreversible damage to the machine.

SPECIFIC SAFETY RULES

WARNING

High pressure jets can be dangerous if subject to misuse. The jet must not be directed at people, animals, electrical devices, or the machine itself.

- **Keep the motor away from flammables and other hazardous materials.**
- **Check bolts and nuts fixing the pressure washer shell for looseness before each use.** A loose bolt or nut may cause serious motor problems.
- **Before storing, allow the motor to cool.**
- **When servicing use only identical replacement parts.** Use of any other parts may create a hazard or cause product damage.
- **ONLY use cold water.**
- **Make sure minimum clearance of 3 feet is maintained from combustible materials.**
- **Connect pressure washer only to an individual branch circuit.**
- **Hold the handle and wand securely with both hands.** Expect the trigger handle to move when the trigger is pulled due to reaction forces. Failure to do so could cause loss of control and injury to yourself and others.
- **Save these instructions.** Refer to them frequently and use them to instruct other users. If you loan someone this product, loan them these instructions also.

WARNING

Some dust created by power sanding, sawing, grinding, drilling, and other construction activities contains chemicals known to cause cancer, birth defects or other reproductive harm. Some examples of these chemicals are:

- Lead from lead-based paints
- Crystalline silica from bricks and cement and other masonry products
- Arsenic and chromium from chemically treated lumber







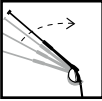


Your risk from these exposures varies, depending on how often you do this type of work. To reduce your exposure to these chemicals: work in a well ventilated area, and work with approved safety equipment, such as those dust masks that are specially designed to filter out microscopic particles.

WARNING

This product contains chemical(s) including lead, known to the State of California to cause cancer, birth defects, and other reproductive harm. Do not drink water from this hose. **Wash hands after use.**




SYMBOLS

Some of the following symbols may be used on this product. Please study them and learn their meaning. Proper interpretation of these symbols will allow you to operate the product better and safer.

SYMBOL	NAME	DESIGNATION/EXPLANATION
V	Volts	Voltage
A	Amperes	Current
Hz	Hertz	Frequency (cycles per second)
W	Watt	Power
no	No Load Speed	Rotational speed, at no load
	Alternating Current	Type of current
.../min	Per Minute	Revolutions, strokes, surface speed, orbits etc., per minute
	Safety Alert	Indicates a potential personal injury hazard.
	Read Operator's Manual	To reduce the risk of injury, user must read and understand operator's manual before using this product.
	Eye Protection	Always wear eye protection with side shields marked to comply with ANSI Z87.1.
	Wet Conditions Alert	Do not expose to rain or use in damp locations.
	Risk of Injection	To reduce the risk of injection or injury, never direct a water system towards people or pets or place any body part in the stream. Leaking hoses and fittings are also capable of causing injection injury. Do not hold hoses or fittings.
	Kickback	To reduce the risk of injury from kickback, hold the spray wand securely with both hands when the machine is on.
	Electric Shock	Failure to use in dry conditions and to observe safe practices can result in electric shock.
	Chemical Burns	To reduce the risk of injury or damage, DO NOT USE ACIDS, ALKALINES, BLEACHES, SOLVENTS, FLAMMABLE MATERIAL, OR INDUSTRIAL GRADE SOLUTIONS in this product.

SYMBOLS

The following signal words and meanings are intended to explain the levels of risk associated with this product.

SYMBOL	SIGNAL	MEANING
	DANGER	Indicates an imminently hazardous situation, which, if not avoided, will result in death or serious injury.
	WARNING	Indicates a potentially hazardous situation, which, if not avoided, could result in death or serious injury.
	CAUTION	Indicates a potentially hazardous situation, which, if not avoided, may result in minor or moderate injury.
	CAUTION	(Without Safety Alert Symbol) Indicates a situation that may result in property damage.

SERVICE

Servicing requires extreme care and knowledge and should be performed only by a qualified service technician. For service, return the product to your nearest **AUTHORIZED SERVICE CENTER** for repair. When servicing, use only identical replacement parts.

WARNING

To avoid serious personal injury, do not attempt to use this product until you read thoroughly and understand completely the operator's manual. If you do not understand the warnings and instructions in the operator's manual, do not use this product. Call GREENWORKS customer service for assistance.



The operation of any power tool can result in foreign objects being thrown into your eyes, which can result in severe eye damage. Before beginning power tool operation, always wear safety goggles or safety glasses with side shields and, when needed, a full face shield. We recommend Wide Vision Safety Mask for use over eyeglasses or standard safety glasses with side shields. Always use eye protection which is marked to comply with ANSI Z87.1.

ELECTRICAL

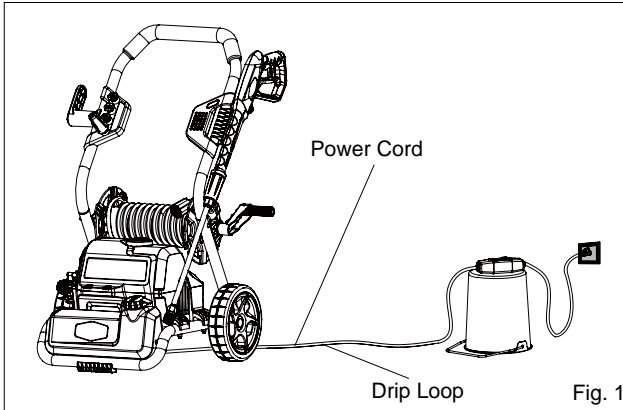
ELECTRICAL CONNECTION

This product has a precision-built electric motor. It should be connected to a power supply that is 120 volts, 60 Hz, AC only (normal household current). Do not operate this product on direct current (DC). A substantial voltage drop will cause a loss of power and the motor will overheat.

If the product does not operate when plugged into an outlet, double check the power supply.

dRIP LOOP (See Figure 1.)

To prevent water from flowing along the power cable, and possibly reaching the electrical outlet and plug, we recommend using a simple drip loop as shown below.



⚠ WARNING

Keep the extension cord clear of the working area. Position the cord so that it will not get caught on lumber, tools, or other obstructions while you are working with a power tool. Failure to do so can result in serious personal injury.

GROUND FAULT CIRCUIT INTERRUPTER

This unit is equipped with a Ground Fault Circuit Interrupter (GFCI), which guards against the hazards of ground fault currents. An example of ground fault current is the current that would flow through a person who is using an appliance with faulty insulation and, at the same time, is in contact with an electrical ground such as a plumbing fixture, wet floor, or earth.

GFCI plugs do not protect against short circuits, overloads, or shocks.

⚠ WARNING

The GFCI plug can be tested with the TEST and RESET buttons.

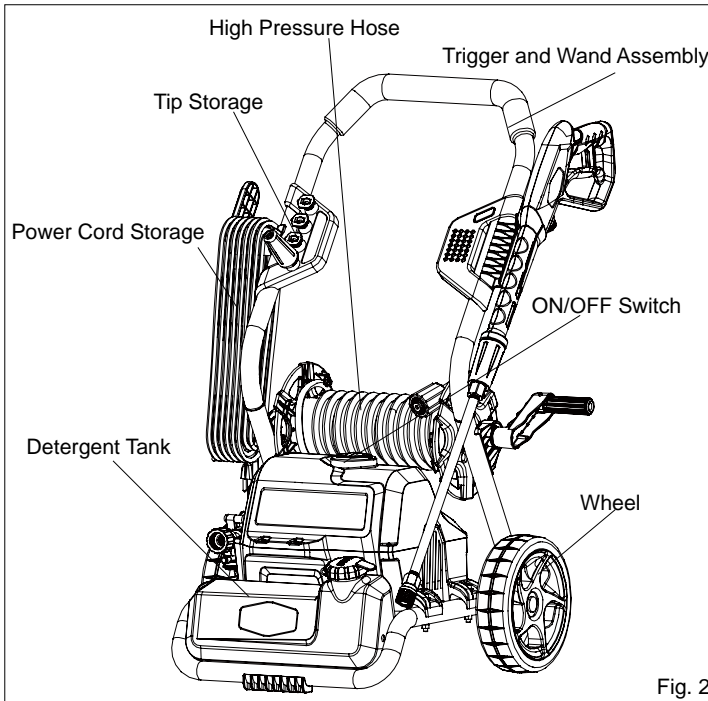
- Plug into receptacle.
- Press the TEST button. You will hear a "click" sound and the red LED light will go out.
- Press the RESET button. The LED light will illuminate to indicate power has been restored.

Perform this test monthly to ensure proper operation of the GFCI.

To reduce the risk of electric shock the supervisory circuit must be operated before an appliance is plugged into any receptacle on the device.

KNOW YOUR PRESSURE WASHER

The safe use of this product requires an understanding of the information on the tool and in this operator's manual as well as a knowledge of the project you are attempting. Before use of this product, familiarize yourself with all operating features and safety rules. (See Figure 2.)



DETERGENT TANK

Remove the cap from the detergent tank to add detergent to the pressure washer.

GFCI PLUG

The pressure washer is equipped with a GFCI plug to guard against the hazards of ground fault currents. This plug does not protect against short circuits, overloads, or shocks.

HIGH PRESSURE HOSE STORAGE

A convenient hose reel stores the high pressure hose when the pressure washer is not in use.

AUTO ON/OFF SWITCH:

This pressure washer is equipped with an Auto Start/Stop feature. To operate: Rotate power switch to the On (I) position. Pump will pressurize and shut down immediately. Once the trigger of the gun is depressed the unit will turn on. Unit will shut off and be in standby mode when trigger is released.

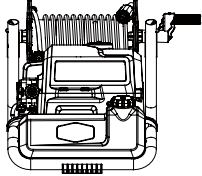
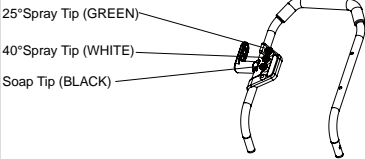








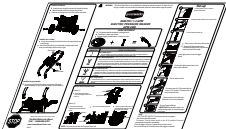
POWER CORD STORAGE

The power cord can be wrapped and stored around the hooks.

TRIGGER AND WAND ASSEMBLY

The Trigger and Wand allows you to operate the pressure washer by depressing the trigger to activate the pump to spray water using the desired spray tip.

PACKING LIST

PART NAME	ERP NO.	FIGURE	PART NO.
• Pressure Washer			1
• Upper Handle Assembly (including the spray tips)	331011635 (only for upper handle)	<p>25° Spray Tip (GREEN) —</p> <p>40° Spray Tip (WHITE) —</p> <p>Soap Tip (BLACK) —</p> 	1
• Turbo Nozzle	31208363		1
• Sprayer gun (trigger)	31140363-1		1
• GW gun wand assy	31145363		1
• Gun Holder	311201635		1
• Spray Tip Cleaning Tool	33201671		1
• Screw ST15*20	322011628		2
• Wheels	311011635		2
• Operator's Manual	388011635		1
• Quick Start Guide	3880021635		1

ASSEMBLY

UNPACKING

This product requires assembly.

- Carefully remove the product and any accessories from the box. Make sure that all items listed in the packing list are included.

WARNING

Do not use this product if any parts on the Packing List are already assembled to your product when you unpack it. Parts on this list are not assembled to the product by the manufacturer and require customer installation. Use of a product that may have been improperly assembled could result in serious personal injury.

-
- Inspect the product carefully to make sure no breakage or damage occurred during shipping.
 - Do not discard the packing material until you have carefully inspected and satisfactorily operated the product.
 - If any parts are damaged or missing, please call 1-888-909-6757 for assistance.

WARNING

If any parts are damaged or missing do not operate this product until the parts are replaced. Use of this product with damaged or missing parts could result in serious personal injury.

WARNING

Do not attempt to modify this product or create accessories not recommended for use with this product. Any such alteration or modification is misuse and could result in a hazardous condition leading to possible serious personal injury.

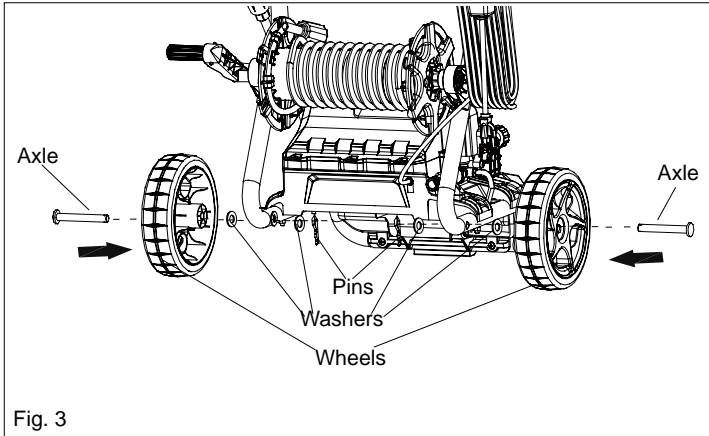
WARNING

Do not connect to power supply until assembly is complete. Failure to comply could result in accidental starting and possible serious personal injury.

ASSEMBLY

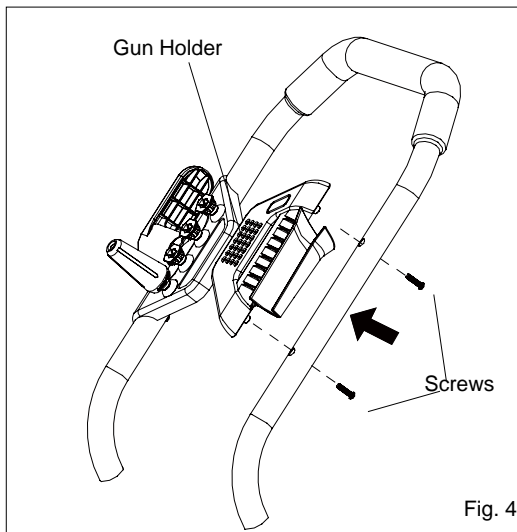
ASSEMBLING THE WHEEL (See Figure 3.)

- Insert the axle through the wheel and through the frame.
- Slide the washer over the axle pass the pin hole.
- Insert the pin through the hole to firmly fasten the wheel.



ASSEMBLING THE GUN HOLDER (See Figure 4.)

- Line up the screw sleeves with the holes in the upper handle and push through.
- Insert the screw and turn clockwise with a phillips head screw driver (not included) until the screw is tight.

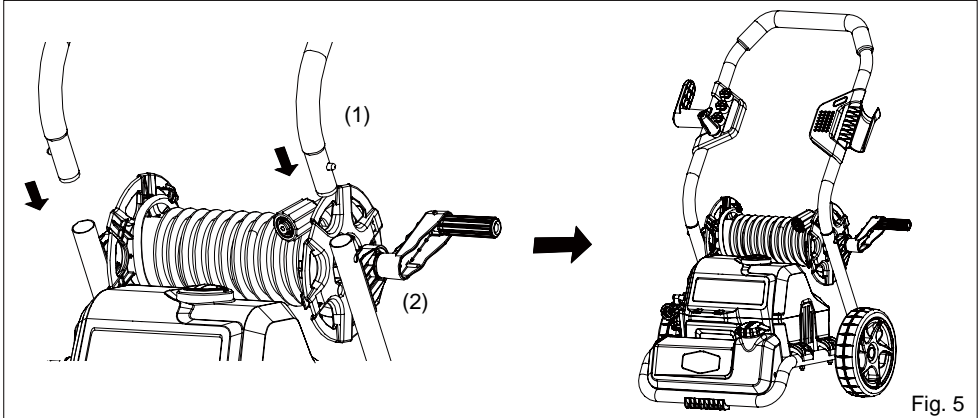


ASSEMBLY

ASSEMBLING THE HANDLE (See Figure 5.)

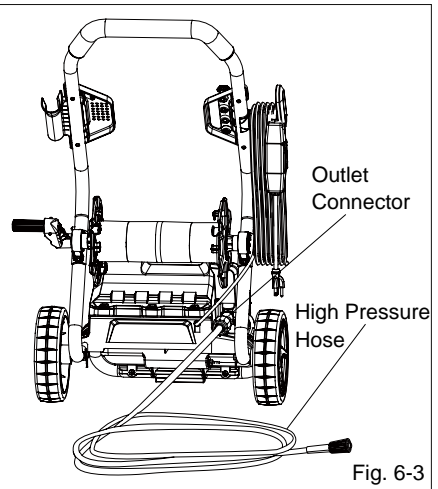
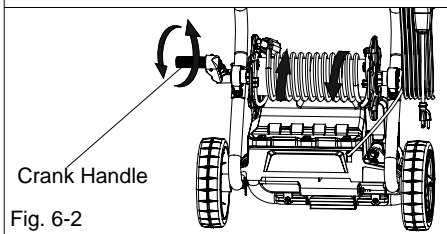
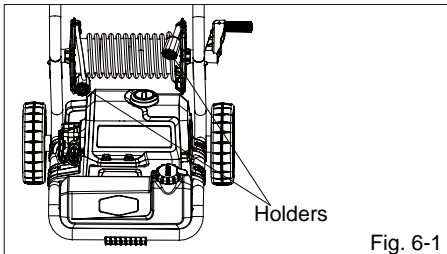
- Push and hold the push-pin button on the side of the upper handle assembly (1) as you slide the handle onto the frame (2).

NOTE: Before use, pull the handle up until the lock button snaps through the locking slots to secure the handle place.



ASSEMBLING THE HIGH PRESSURE HOSE

- Take one end of the hose off the holder. (See Figure 6-1.)
- Turn the crank handle until the hose can be completely removed. Then remove the other end of the hose from the holder. (See Figure 6-2.)
- Connect one end of the hose to the water outlet connector, while the other end to the trigger gun. (See Figure 6-3.)



ASSEMBLY

CONNECTING HIGH PRESSURE HOSE TO TRIGGER HANDLE (See Figure 7.)

1. Align the pressure hose with the trigger handle and push up and into position.
2. With hose pushed into position on the trigger handle, secure in place by turning the hose lock clockwise until fully tightened.

NOTE: For easier installation of the hose to the unit or trigger it is suggested to add pressure washer or dish detergent to the rubber seal at each end of the hose. This will allow for easier installation and a snug fit.

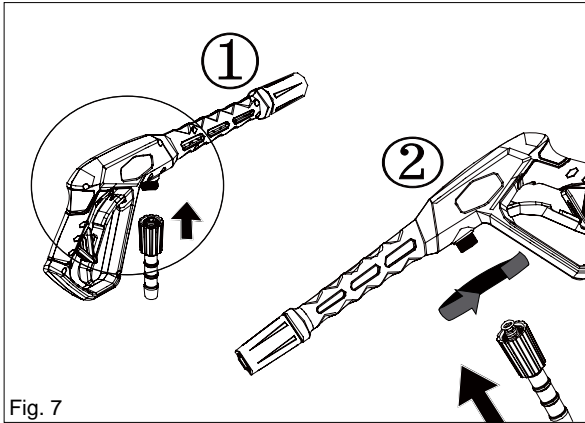


Fig. 7

ASSEMBLING THE SPRAY WAND (See Figure 8.)

- Push the end of the spray wand into the trigger handle and rotate clockwise to secure.
- Pull on the spray wand to be certain it is properly secured.

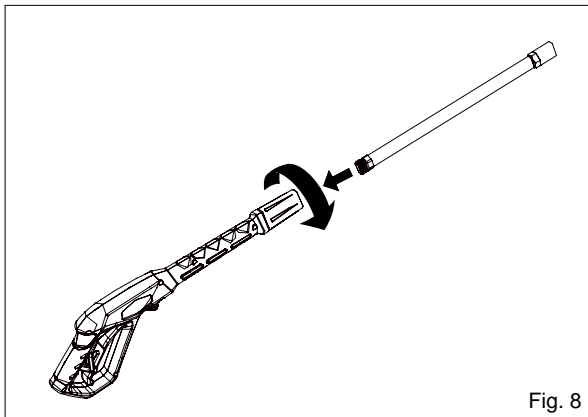


Fig. 8

ASSEMBLY

CONNECTING THE GARDEN HOSE (See Figure 9.)

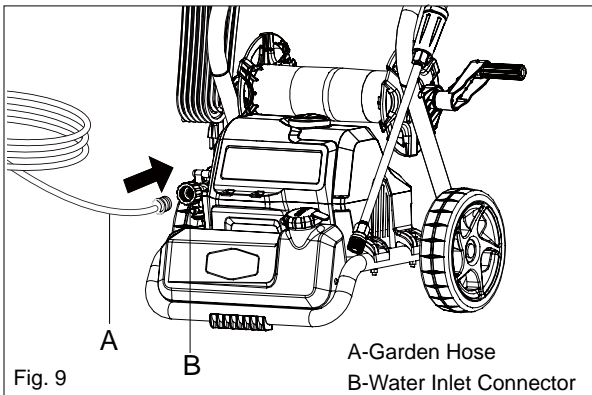
CAUTION:

Always observe all local regulations when connecting hoses to the water main. Some areas have restrictions against connecting directly to public drinking water supply to prevent the feedback of chemicals into the drinking water supply. Direct connection through a receiver tank or backflow preventer is usually permitted.

- Uncoil the garden hose.

NOTE: There must be a minimum of 10 feet of unrestricted garden hose between the water intake and the garden hose faucet or shut off valve (such as a "Y" shut off connector).

- Run water through the hose for 30 seconds to clean any debris from the hose.
- Inspect the screen in the water intake.
- If the screen is damaged, do not use the machine until the screen has been replaced.
- If the screen is dirty, clean it before connecting the garden hose to the machine.
- With the hose faucet turned completely off, attach the end of the garden hose to the water intake. Tighten by hand only.



OPERATION

WARNING

Do not allow familiarity with the product to make you careless. Remember that a careless fraction of a second is sufficient to inflict serious injury.

WARNING

Always wear eye protection with side shields marked to comply with ANSI Z87.1. Failure to do so could result in objects being thrown into your eyes resulting in possible serious injury.

WARNING

Do not use any attachments or accessories not recommended by the manufacturer of this product. The use of attachments or accessories not recommended can result in serious personal injury.

WARNING

Never direct a water stream toward people or pets, or any electrical device. Failure to heed this warning could result in serious injury.

APPLICATIONS

You may use this product for the purposes listed below:

- Cleaning boats, cars, trucks, motorcycles, outdoor furniture, grills, house siding, driveways, patios and decks.

dETERGENT Adding AND USE *(See Figure 10-1.)*

Use only detergents designed for pressure washers; household detergents, acids, alkalines, bleaches, solvents, flammable material, or industrial grade solution can damage the pump. Many detergents may require mixing prior to use. Prepare cleaning solution as instructed on the solution bottle.

SOAP APPLICATION

Soap is applied under low pressure high volume for optimum performance.

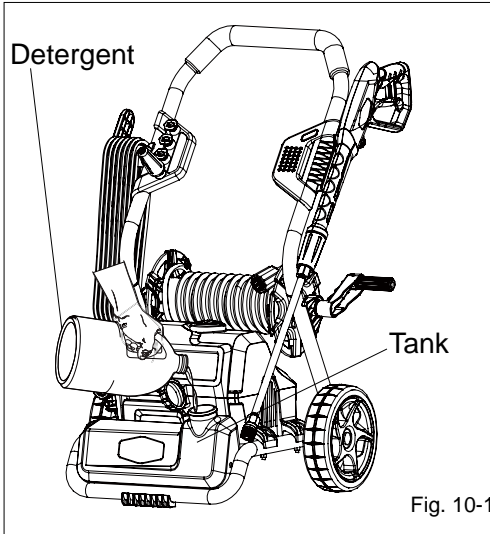
Soap can not be applied under high pressure with this machine

Soap / Detergent can only be applied with this machine when the black (75 degree) soap tip is installed.

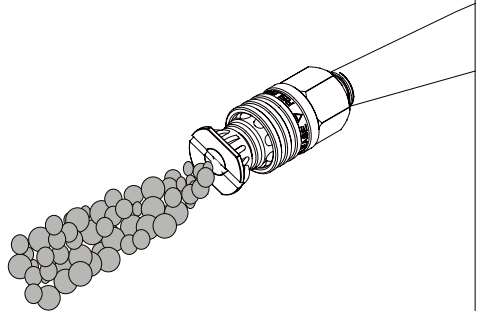
OPERATION

To add detergent:

- Place pressure washer upright on a flat surface
- Remove cap from detergent tank
- Pour detergent into tank
- Reinstall cap



Use Black Soap Tip Only



CAUTION:

Use only approved pressure washer cleaners. Do not use bleach, chlorine, or any cleaners containing acids.

To use:

- Connect low pressure black soap spray tip to the wand connector. (See Figure 10-2.)
- Squeeze the trigger and the detergent will automatically be mixed with the water and dispensed from the spray tip.

NOTE: Use a funnel, if needed, to prevent accidental spilling of the detergent outside the tank. If any detergent is spilled during the filling process, make sure the unit is cleaned and dried before proceeding.

OPERATION

STARTING AND STOPPING THE PRESSURE WASHER (See Figure 11.)

CAUTION :

Do not run the pump without the water supply connected and turned on.

- Connect the garden hose.
- Turn the garden hose on then squeeze the trigger and run water hose with motor in OFF position until a steady stream of water appears. This helps drain air from tank and lines.

NOTE: If the pressure washer pulsates and the water stream is intermittent turn the pressure washer off and continue to bleed air out of the system. Ensure to check that the garden hose is fully turned on and not kinked.

- After ensuring the On/Off switch is in the OFF (O) position, connect the pressure washer to the power supply.
- Press the reset button on the pressure washer's plug to make sure the unit is ready for operation.
- Rotate to ON (I) position on the switch to start the motor.
- To stop the motor, release the trigger and rotate to OFF (O) position on the switch.

NOTE: The pressure washer may be on and the system may have pressure even when the pump and/or motor cannot be heard running. Always use caution around the pressure washer.

CAUTION :

Hold the trigger handle securely with both hands. Expect the trigger handle to move when the trigger is pulled due to reaction forces. Failure to do so could cause loss of control and injury to yourself and others.

NOTE: AUTO ON/OFF SWITCH: This pressure washer is equipped with an Auto Start/Stop feature. To operate: Turn the power switch to the On (I) position. Pump will pressurize and shut down immediately. Once the trigger of the gun is depressed the unit will turn on. Unit will shut off and be in standby mode when trigger is released.

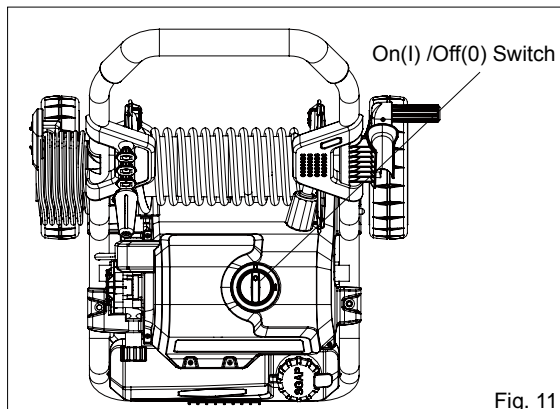


Fig. 11

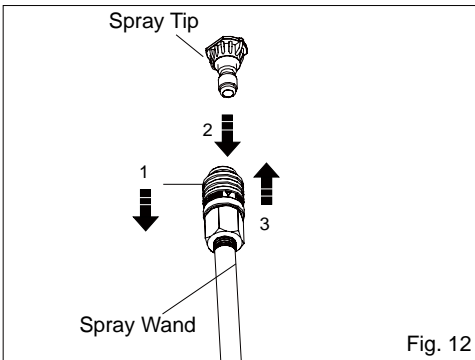
OPERATION

USING THE SPRAY TIPS *(See Figure 12.)*





Each of the spray tips has a different spray pattern. Before starting any cleaning job, determine the best spray tip for the job. The following chart offers some general guidelines to help you choose the best spray tip for your application.

NOTE: Always try spray tip in an inconspicuous area first.

- Turn off the pressure washer and shut off the water supply. Pull trigger to release water pressure.
- Engage the lock-out on the trigger handle by pushing the trigger lock button to the right.
- Pull out the desired spray tip from the tip storage on the handle.
- Pull back the quick-connect collar on the spray wand.
- Push the spray tip into place in the spray wand.
- Push the collar forward so that the spray tip is secured properly. Check to see that the spray tip is secure.



- 1-Pull back the quick-connect collar
- 2-Push the spray tip into place
- 3-Push the collar forward

SPRAY TIP	APPLICATION
 25°	<p>Green - Narrow fan tip (25°)</p> <ul style="list-style-type: none"> ■ The green pressure washer tip provides high versatility with its 25 degree angle tip. Referred to as the washing tip, because it provides adequate pressure to remove dirt from surfaces, but is designed to not damage many surfaces. This pressure washer tip is designed for "sweeping" foliage or debris given its wide angle. This tip is versatile due to its wide area of cleaning and strong pressure application.
 40°	<p>White - Wide fan tip (40°)</p> <ul style="list-style-type: none"> ■ The white 40 degree tip, referred to as the "fan" tip creates the widest area of cleaning with relatively low pressure. This pressure washer tip is best used for light or delicate cleaning applications. It is recommended for light cleaning on wood decks and other soft or delicate surfaces.
 SOAP	<p>Black - Soap spray tip</p> <ul style="list-style-type: none"> ■ The black soap spray tip, is used for soap application. Soap is applied under low pressure high volume for optimum performance. Soap cannot be applied under high pressure with this machine.
 TURBO	<p>Turbo Nozzle Tip</p> <ul style="list-style-type: none"> ■ The nozzle rotates in a zero to 15 degree spray pattern in a circular motion to break down tough dirt and grime. The spray pattern can cover area of 4 to 8 inches wide, depending on a distance between the tip and the surface being cleaned.

OPERATION

⚠ WARNING

NEVER change spray tips without engaging the lock-out on the trigger handle and NEVER point the wand at your face or at others. The quick-connect feature contains small springs that could eject the spray tip with some force. Failure to heed this may cause personal injury.

TO DISCONNECT A SPRAY TIP FROM THE SPRAY WAND ONCE THE CLEANING JOB IS COMPLETE:

- Turn off the pressure washer and shut off the water supply. Pull trigger to release water pressure.
- Remove the spray tip by placing hand over spray then pulling back the quick-connect collar. Place spray tip in the tip storage area on the units folding handle.

USING THE SPRAY WAND TRIGGER (See Figure 13.)

For greater control and safety, keep both hands on the trigger handle at all times.

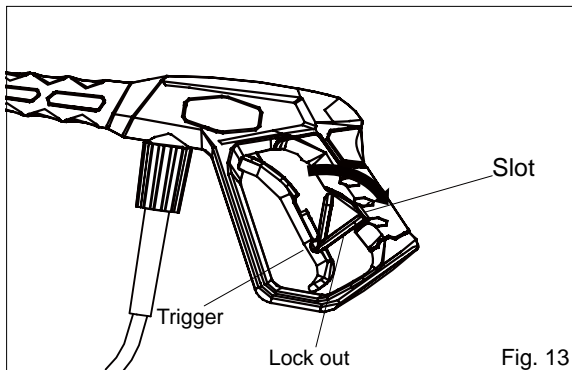
- Pull back and hold the trigger to operate the pressure washer.
- Release the trigger to stop the flow of water through the tip.

TO ENGAGE THE LOCK-OUT:

- Push up on the lock-out until it clicks into the slot.

TO DISENGAGE THE LOCK-OUT:

- Push the lock-out down and into its original position.



OPERATION

OPERATING THE PRESSURE WASHER (See Figure 14.)

Use only detergents designed for pressure washers. Many detergents may require mixing prior to use. Prepare cleaning solution as instructed on the solution bottle.

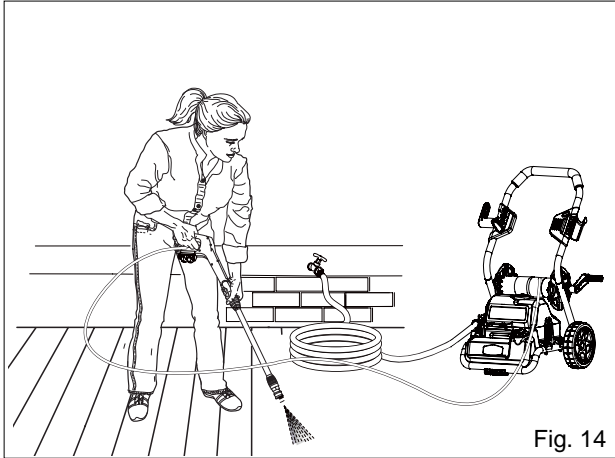


Fig. 14

To clean:

- Pour detergent in the detergent tank.
- Install the black soap tip on the spray wand.
- Start the pressure washer and spray the detergent on a dry surface using long, even, overlapping strokes. To prevent streaking, do not allow detergent to dry on the surface.

To rinse:

- Using the 25° spray tip, spray away from the rinsing surface for approximate 10 seconds to allow any remaining detergent to be flushed from the line.
- Start at the top of the area to be rinsed and work down, overlapping the strokes.

For the most effective cleaning, the spray tip should be between 8 in. and 24 in. from the surface to be cleaned. If the spray is too close it can damage the cleaning surface.

MOVING THE PRESSURE WASHER

To move the pressure washer:

- Turn the pressure washer off. Point spray tip in a safe direction and pull trigger to release water pressure.
- Tilt the machine toward you until it balanced on the wheels then roll the machine to the desired position.

MAINTENANCE

WARNING

When servicing, use only identical replacement parts. Use of any other parts may create a hazard or cause product damage.

WARNING

Before inspecting, cleaning or servicing the machine, turn off the unit, unplug from the outlet, pull trigger to release water pressure and disconnect the high pressure hose. Failure to follow these instructions can result in serious personal injury or property damage.

GENERAL MAINTENANCE

Avoid using solvents when cleaning plastic parts. Most plastics are susceptible to damage from various types of commercial solvents and may be damaged by their use. Use clean cloths to remove dirt, dust, oil, grease, etc.

WARNING

Do not at any time let brake fluids, gasoline, petroleum based products, penetrating oils, etc., come in contact with plastic parts. Chemicals can damage, weaken or destroy plastic which may result in serious personal injury.

Only the parts shown on the parts list are intended to be repaired or replaced by the customer. All other parts should be replaced at an authorized service center.

MAINTENANCE

SPRAY TIP MAINTENANCE *(See Figure 15.)*

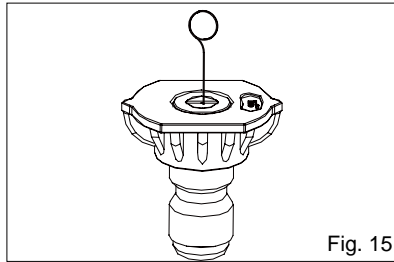
Excessive pump pressure (a pulsing sensation felt while squeezing the trigger) may be the result of a clogged or dirty spray tip.

- Unplug the pressure washer.
- Turn off the pressure washer and shut off the water supply. Pull trigger to release water pressure.
- Remove the spray tip from the spray wand.

NOTE: Never point the spray wand at your face.

Using the spray tip cleaning tool provided, free any foreign materials clogging or restricting the spray tip opening. Refer to Fig. 15

- Using a garden hose, flush debris out of the spray tip by back flushing (running the water through the spray tip backwards or from the outside to the inside).
- Reconnect the spray tip to the spray wand.
- Turn on the water supply.



STORING THE PRESSURE WASHER

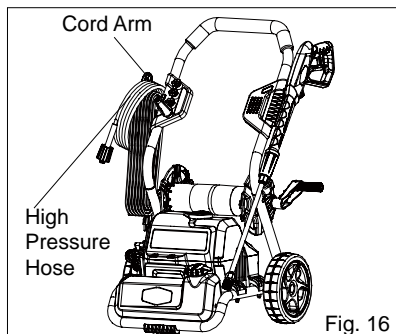
Store in a dry, covered area where the weather can't damage it.

It is important to store this product in a frost-free area. Always empty water from all hoses, the pump, and the detergent container before storing.

NOTE: Use of a pump saver will give you better performance and increase the life of the machine.

Option (1):

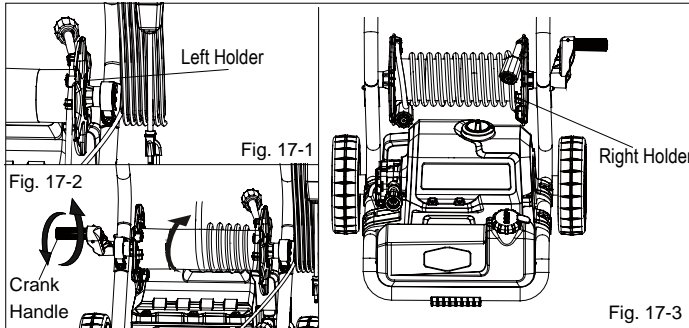
- Roll up the high pressure hose, and hang the hose to the cord arm. *(See Figure 16.)*



MAINTENANCE

Option (2):

- Fix one end of the high pressure hose to the left side holder. (See Figure 17-1.)
- Turn the crank handle clockwise. (See Figure 17-2.)
- Attach the other hose end to the right side holder when the hose is fully wound for storage. (See Figure 17-3.)



QUICK WINTERIZING PROCEDURE

If you cannot do the Optimum Winterizing procedure, you can still protect your pressure washer from winter damage by doing below:

- Disconnect all water connections.
- Turn on the machine for a few second, until the remaining water in the pump exits. Turn off immediately.
- Do not allow high-pressure hose to become kinked.
- Store the machine and accessories in a room that does not reach freezing temperatures. Do not store near furnace or other sources of heat as it may dry out the pump seals.

CAUTION :

Drain gun assembly of any remaining water. Aim gun downwards and squeeze trigger.

SHUTTING dOWN AND CLEANING UP

- (If you are not using detergent, go directly to Step 2.) When you have finished using the detergent injection system, fill detergent bottle with clean water. Siphon water at low-pressure for one minute so that all detergent is flushed through system. Remove detergent bottle and rinse it thoroughly.
- Disconnect the garden hose from the water inlet on the unit.
- Press trigger to release any remaining water pressure.
- Turn the switch to "OFF" (O) position.
- Unplug the power cord from the outlet.
- Engage gun safety lock.

TAKING A BREAK

If taking a break of five minutes or more.

- Engage gun safety lock.
- Turn unit to "OFF" (O) position.
- Unplug the power cord from the outlet.

IMPORTANT :

The use of a pump protector is recommended when storing to help prevent a against freezing over the winter months. It also help prevent the seals from drying out while sitting in storage in all climates.

TROUBLESHOOTING

PROBLEM	POSSIBLE CAUSE	SOLUTION
Motor will not start.	On/Off switch is in the "OFF" (O) position.	Turn switch to the "ON" (I) position.
	Power cord is not plugged in.	Plug in power cord.
	Electrical outlet does not supply adequate power.	Try a different outlet.
	Tripped pressure washer circuit breaker	Allow to cool, and restart unit.
	Power switch is ON however gun trigger is not squeezed ON.	With power switch ON push in on the gun trigger which will engage the AUTO ON switch.
Unit does not reach high pressure.	Diameter of garden hose is too small.	Replace with a 1" (25 mm) or 5/8" (16 mm) garden hose.
	Water supply is restricted.	Check garden hose for kinks, leaks and blockage.
	Not enough water supply.	Open water source fully.
	Pressure Tip has not been installed on wand assembly.	Add desired pressure tip to end of wand. See page 19 Fig. 12 for details.
	Water inlet filter is clogged.	Remove filter and rinse in warm water.
Output pressure varies high and low.	Not enough inlet water supply.	Turn water on fully. Check garden hose for kinks, leaks or blockage.
	Pump is sucking air.	Check that hoses and fittings are airtight, Turn "OFF" machine, and purge pump by squeezing trigger gun until a steady flow of water emerge through the spray tip.
	Water inlet filter clogged.	Remove filter and rinse in warm water.
	Supply voltage below minimum.	Verify that only the pressure washer is running on this circuit.
	Calcified gun, hose or power spray tip.	Run distilled vinegar through detergent tank.

TROUBLESHOOTING

PROBLEM	POSSIBLE CAUSE	SOLUTION
Detergent is not coming out.	Detergent is too thick.	Dilute detergent.
	Filter on detergent suction tube is clogged.	Run warm water through filter to remove build-up.
	Damaged or clogged detergent suction tube.	Remove obstruction or replace detergent suction tube.
	Spray tip is obstructed.	Blow out or remove debris with a fine needle.
Garden hose connection leaks.	Loose connection.	Tighten connection.
	Missing/worn rubber washer.	Insert new washer.
Spray wand, extension, or spray tip leaks.	Broken o-ring or plastic insert.	Call the Toll-Free Helpline.
Pump is noisy.	Pump is sucking air.	Check that hoses and fittings are airtight. Turn off machine and purge pump by squeezing trigger gun until a steady flow of water emerges through the spray tip.
	Water filter is clogged.	Remove water filter and rinse in warm water.
Water leaks from pump.	Loose fittings.	Check that all fittings are tight.
	Water seals are damaged or worn.	Call the Toll-Free Helpline.
Oil is dripping.	Oil seals are damaged or worn.	Call the Toll-Free Helpline.
Soap does not come out or comes out at low pressure.	75 degree tip / Soap Tip (Black color) is not installed in wand.	Install 75degree, black, soap tip in wand.
	Soap tank may be plugged with debris or thick soap.	Empty soap from tank, clean out using vinegar and water.

TROUBLESHOOTING

PROBLEM	POSSIBLE CAUSE	SOLUTION
Motor buzzes but fails to run.	Supply voltage below minimum.	Verify that only the pressure washer is running on this circuit.
	System has residual pressure.	Turn unit "OFF", squeeze trigger on spray wand to release pressure, then turn unit "ON".
	Voltage loss due to extension cord.	Unplug any extension cords attached and plug the unit directly into the outlet.
	Pressure washer not used for long periods.	Call the Toll-Free Helpline.
	Residual friction among components. Unit might hum.	Disconnect water supply and power ON for 2 to 3 seconds, repeat couple times or until the motor starts.
No water.	Water supply is OFF.	Turn ON water supply.
	Kink in the garden hose.	Remove kink in garden hose.

NOTE: AUTO ON/OFF SWITCH: This Pressure washer is equipped with an Auto Start/Stop feature. To operate: Press power switch On (I). Pump will pressurize and shut down immediately. Once the trigger of the gun is depressed the unit will turn on. Unit will shut off and be in standby mode when trigger is released.

WARRANTY



GREENWORKS™ hereby warrants this product, to the original purchaser with **proof of purchase**, for a period of one (1) years against defects in materials, parts or workmanship. GREENWORKS™, at its own discretion will repair or replace any and all parts found to be defective, through normal use, free of charge to the customer. This warranty is valid only for units which have been used for personal use that have not been hired or rented for industrial/ commercial use, and that have been maintained in accordance with the instructions in the owners' manual supplied with the product from new.

ITEMS NOT COVERED BY WARRANTY:

1. Any part that has become inoperative due to misuse, commercial use, abuse, neglect, accident, improper maintenance, or alteration; or
2. The unit, if it has not been operated and/or maintained in accordance with the owner's manual; or
3. Normal wear, except as noted below;
4. Routine maintenance items such as draining the water to avoid freezing/ice damage to pump and components.
5. Normal deterioration of the exterior finish due to use or exposure.

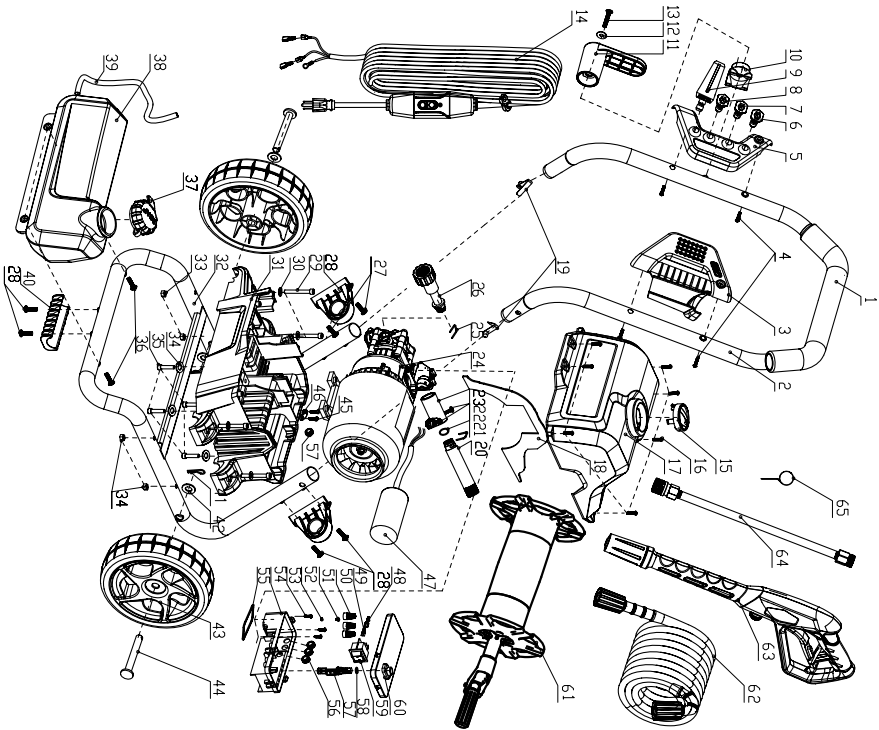
GREENWORKS HELPLINE (1-888-90WORKS):

Warranty service is available by calling our toll-free helpline, at **1-888-909-6757 (1-888-90WORKS)**. Order Replacement parts online @ www.greenworkstools.com.

TRANSPORTATION CHARGES:

Transportation charges for the movement of any power equipment unit or attachment are the responsibility of the purchaser. It is the purchaser's responsibility to pay transportation charges for any part submitted for replacement under this warranty unless such return is requested in writing by GREENWORKS.

EXPLOdEd VIEW



PARTS LIST

ITEM NO.	PART NO.	DESCRIPTION	QTY
1	349011635	Foam grip	1
2	331011635	Upper handle	1
3	311201635	Gun holder assy	1
4	322011628	Screw ST5.5*22-F	4
5	311211635	Spray tip panel assy	1
6	34139319	25 degree nozzle	1
7	31225363	40 degree nozzle	1
8	31240363	Soap nozzle	1
9	31208363	Turbo Nozzle	1
10	341111635	Cord arm basement	1
11	341101635	Cord arm	1
12	32913847	Washer	1
13	322021635	Screw M6*35	1
14	311001635	Power cord assy	1
15	341401628	Switch knob	1
16	322031635	Screw ST4.2*16-F	8
17	341011635	Upper housing	1
18	341171635	Heat isolation board	1
19	33306847	Spring button	2
20	332021635	Water outlet connector	1
21	34202368	O-ring	1
22	32202368	Screw ST4.2*16-F	2
23	341201635	Water outlet connecotr press plate	1
24	31101363A	Motor pump assy	1
25	33302365	U pin	2
26	311221635	Water inlet connector assy	1
27	322011635	Bolt M6*20	10
28	341371635	Hose reel bracket	2
29	322011023	Bolt M6*50	4
30	329011635	Washer	4
31	341021635	Lower housing	1
32	331021635	Main frame	1
33	3222301A	Bolt M6 nut	4
34	3223301A	Washer	4

PARTS LIST

35	32212131	Bolt M6*25	4
36	3220398	Screw M6*25	2
37	342011635	Soap tank cap	1
38	341031635	Soap tank	1
39	34900365	Suction hose	35
40	341161635	Foot pad	1
41	32229301A	Hitch pin	2
42	32908301A	Washer	4
43	311011635	8" wheel	2
44	33210301A	Wheel axle	2
45	34120319	Power cord clamp	1
46	3320303	Screw ST3.5*16-F	2
47	36401661	Capacitor	1
48	36503301A	Terminal sleeve	1
49	36501301	Female terminal	1
50	36511154	Wire cup	3
51	32204301A	Bolt M4*6	1
52	32912301A	Washer	1
53	32202316A	Bolt M4*12	3
54	341141635	Switch box	1
55	34226316A	Motor seal	1
56	34201301A	Wire seal	4
57	341151635	Switch lever	1
58	34216301A	O-ring	1
59	363021628	Power switch	1
60	341131635	Switch box cover	1
61	311301635	Hose reel assy	1
62	31160363	High pressure hose assy	1
63	31140363-1	GW gun handle assy	1
64	31145363	GW gun wand assy	1
65	33201671	Spray cleaning tool	1



TOLL-FREE HELPLINE: 1-888-90WORKS (888.909.6757)

Rev: 00 (14-10-13)